

## Trailer Axles & Accessories

**STANDEN'S AXLE DIVISION** manufactures top quality axles with capacities from 2,000-lbs. to 8,000-lbs., that can be adapted to suit customer specifications. Standen's is a distributor of Dexter axles with capacities up to 25,000-lbs. and a supplier of quality replacement parts.

Standen's offers a full range of spring and torsion style suspensions. Air suspensions are also available for axles in the 8,000-lb. to 12,000-lb. range.

Standen's supplies a wide range of component parts for the trailer industry including wheels, tires, jacks, couplers, and fenders are available in addition to axles and suspension hardware.

Customizing products to meet customers specifications, and continuously quality testing products are just a couple of ways that Standen's takes particular pride in assuring customer satisfaction.



*Standen's Plant 1 & 2 are shown against a backdrop of the City of Calgary and the Rocky Moun-*

## About Standen's . . .



Established in 1924, Standen's manufactures and distributes trailer axles with capacities up to 20,000-lb. per axle. Standen's supplies a wide range of axles and suspension components to both Original Equipment and aftermarket customers throughout North America.

Flexible and responsive, Standen's Axle Division offers a wide range of leaf spring, torsion, and air suspensions built to your specifications. Standen's also manufactures and ships a wide range of leaf springs, air beams, tillage tools, u-bolts and stabilizer bars to customers on five continents. Standen's manufacturing plants produce over 50,000 tons of products annually.

ISO 9001 certified, Standen's state of the art equipment and processes ensure the very best quality products to meet your needs.

As a supplier of Axles to major North American trailer manufacturers, all Standen's OEM-RV trailer axles are CSA approved.

Standen's mandate is to provide the highest quality products and services to all customers. Innovations and continuous improvement are key to remaining a leader in the suspension industry. Developed by Standen's employees, our corporate value statement succinctly describes our operating philosophy:

**“Striving for excellence through teamwork and commitment.”**



**STANDEN'S  
Introduces Their  
Trailer Air Suspension  
(Capacity 8,000 - 12,000 lbs.)**



### STANDEN'S LIMITED

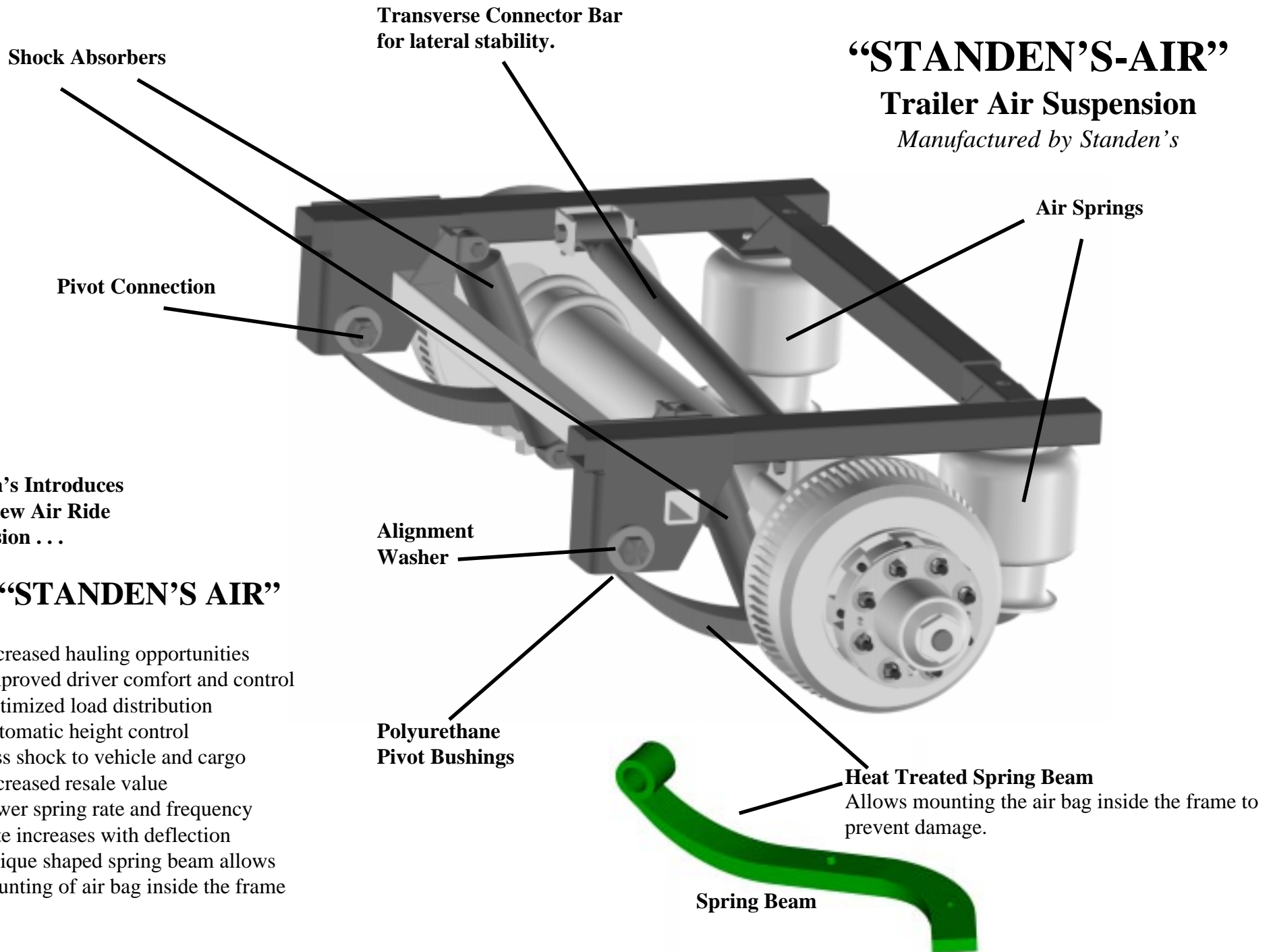
1222-58th Ave. SE  
P.O. Box 67, Station "T"  
Calgary, Alberta Canada T2H 2G7  
1-800-663-7800  
Tel: 403-258-7800  
Fax: 403-253-6746  
[www.standens.com](http://www.standens.com)



# “STANDEN’S-AIR”

## Trailer Air Suspension

*Manufactured by Standen’s*



**Standen’s Introduces  
Their New Air Ride  
Suspension . . .**

### “STANDEN’S AIR”

- increased hauling opportunities
- improved driver comfort and control
- optimized load distribution
- automatic height control
- less shock to vehicle and cargo
- increased resale value
- lower spring rate and frequency
- rate increases with deflection
- unique shaped spring beam allows mounting of air bag inside the frame