



Serving Customers Since 1924

6,000 LB. Trailer Axles and Components



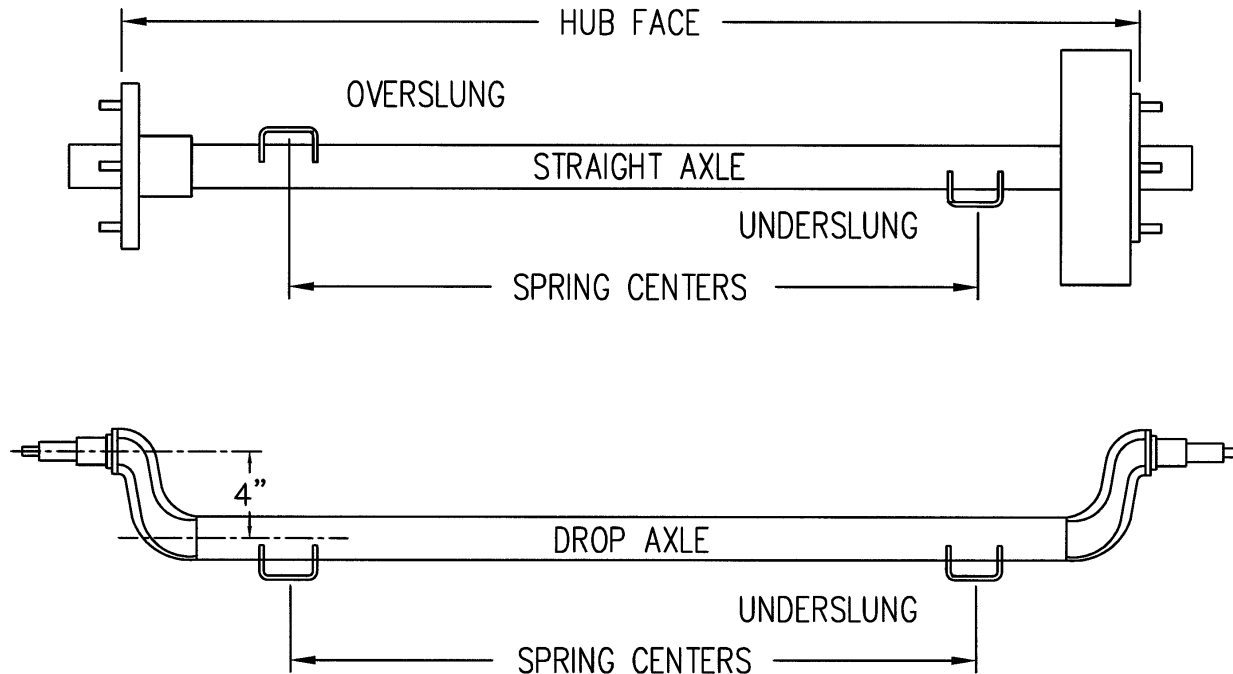
Distributor of



Genuine Replacement Parts

ISO 9001 CERTIFIED

Measurement Points:



STANDEN'S WARRANTY

STANDEN'S LIMITED warrants Axle products manufactured or supplied by us to be free from defects in material and workmanship under normal use and service for a period of one year from date of manufacture of the product.

We will repair or replace without charge, FOB our plant, or at our option give credit for components shown to be out of specifications or defective.

This replacement warranty is limited to parts only and does not include any labour charges, towing charges, down time costs or consequential costs due to the defective product.

The warranty on our product is void when:

1. Axle capacity is exceeded.
2. The brakes are not adjusted before the trailer is put into use.
3. Products are not installed according to factory recommendations and maintained.
4. Proper maintenance is not carried out.
5. Our products are altered or changed from original factory specifications without our knowledge and consent.
6. Damage occurs due to destructive driving or road conditions.
7. The product sits idle longer than 3 months and is not pre-serviced before being put into service.

This Limited Warranty applies to the first use purchaser of the product only.

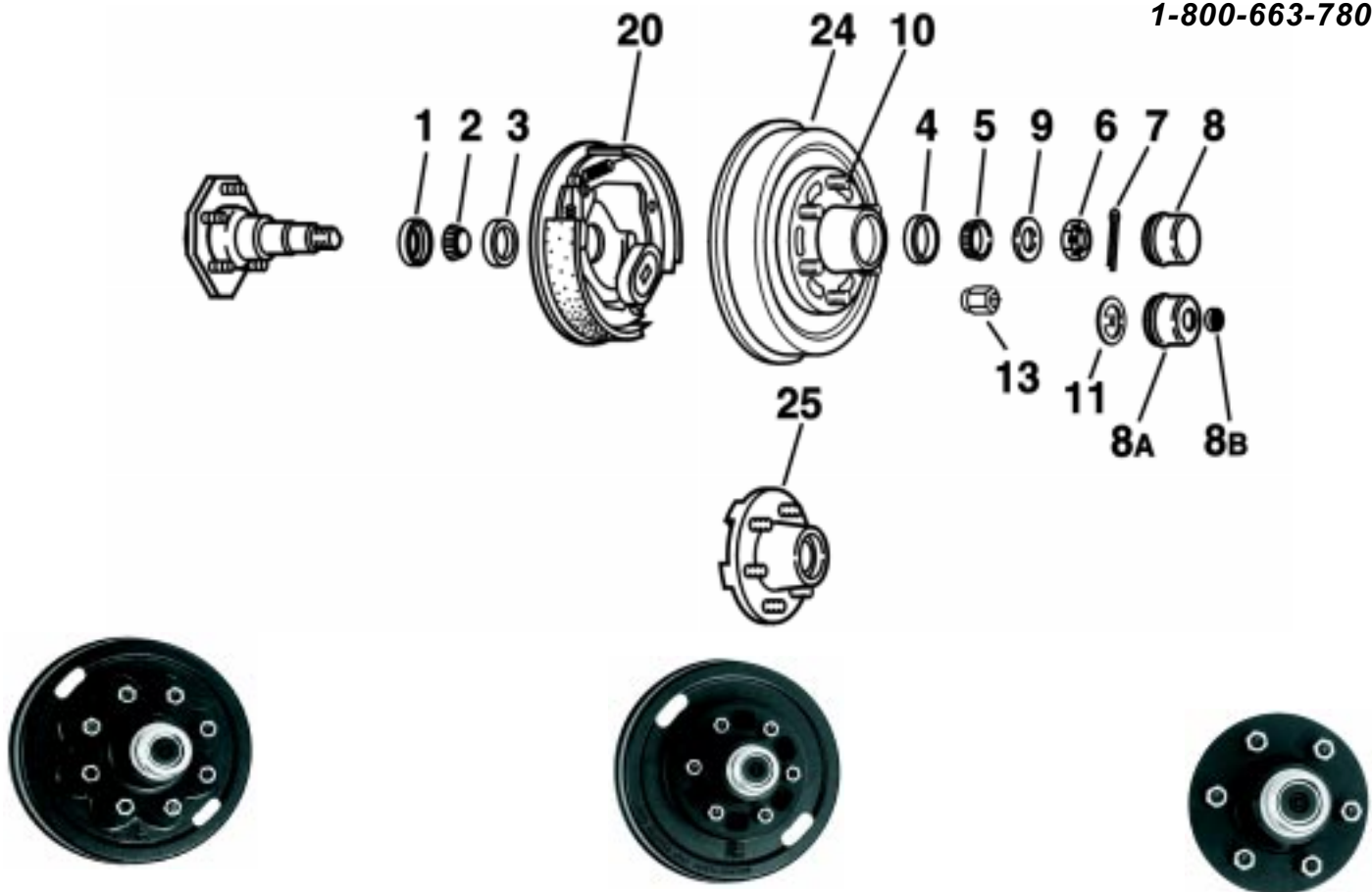
This Limited Warranty is the only Warranty offered by us and therefore no employees, agent, salesperson or other person has the authority to offer or make any other Warranty.

"Where QUALITY Counts!"

6,000 LB CAPACITY
S-60 - 655 AND 865 HUB GROUP



1-800-663-7800



STANDARD GREASE LUBE PARTS

Item	Part #	Description
	604	Bearing Kit - 6 Stud - 1 Hub
	605	Bearing Kit - 8 Stud - 1 Hub
1	SE-18EZ	2.125" Grease Seal
2	25580	Inner Bearing Cone
3	25520	Inner Bearing Cup
4	15245	6-Stud Outer Bearing Cup
5	15123	6-Stud Outer Bearing Cone
n/s	14276	8-Stud Outer Bearing Cup
n/s	14125A	8-Stud Outer Bearing Cone
6	821-3	Spindle Nut
7	880-2	Cotter Pin (not used w/E-Z Lube)
8	DC-13	Grease Cap - 6 Bolt
8A	DC-13A	Grease Cap for E-Z Lube - 6 Bolt
n/s	1605	Grease Cap - 8 Bolt
n/s	1605EZ	Grease Cap - E-Z Lube-8 bolt
8B	85-1	Rubber Plug for E-Z Lube
9	841-1	Spindle Washer
10	WS-112	Wheel Stud 1/2
11	841-5	Tang Washer for E-Z Lube Hubs
10	WS-122	Wheel Stud 9/16

12 X 2 BRAKES

Item	Part #	Description
20	12-1217	LH Electric
20	12-1218	RH Electric
ns	13-1221	LH Hyd. Uni-servo
ns	13-1222	RH Hyd. Uni-servo
ns	13-1223	LH Hyd. Duo-servo
ns	13-1224	RH Hyd. Duo-servo

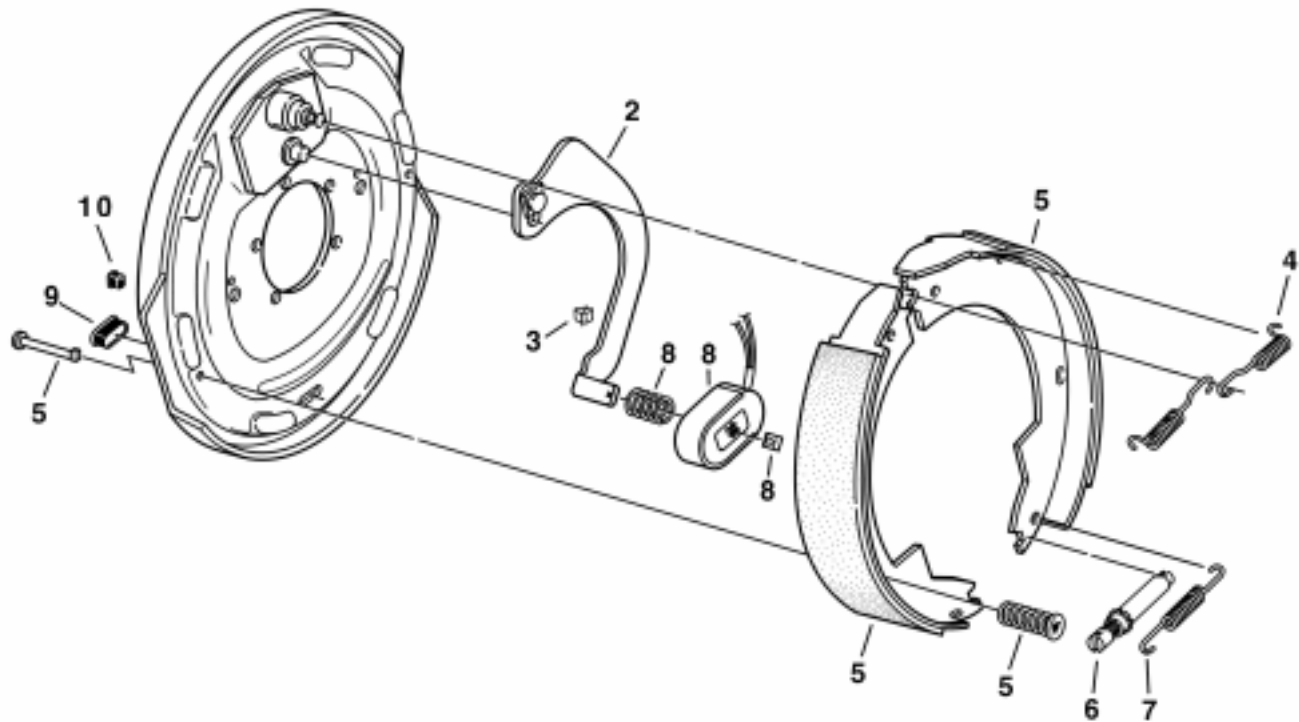
HUBS

Item	Part #	Description	Bolt Circle
24	9-136	Grease Hub & Drum	6 on 5.50
25	8-136	Grease Plain Hub	6 on 5.50
25	9-138	Grease Hub & Drum w 1/2" stud	8 on 6.50
25	9-138-916	Hub & Drum w 9/16" stud	8 on 6.50

WHEEL NUTS

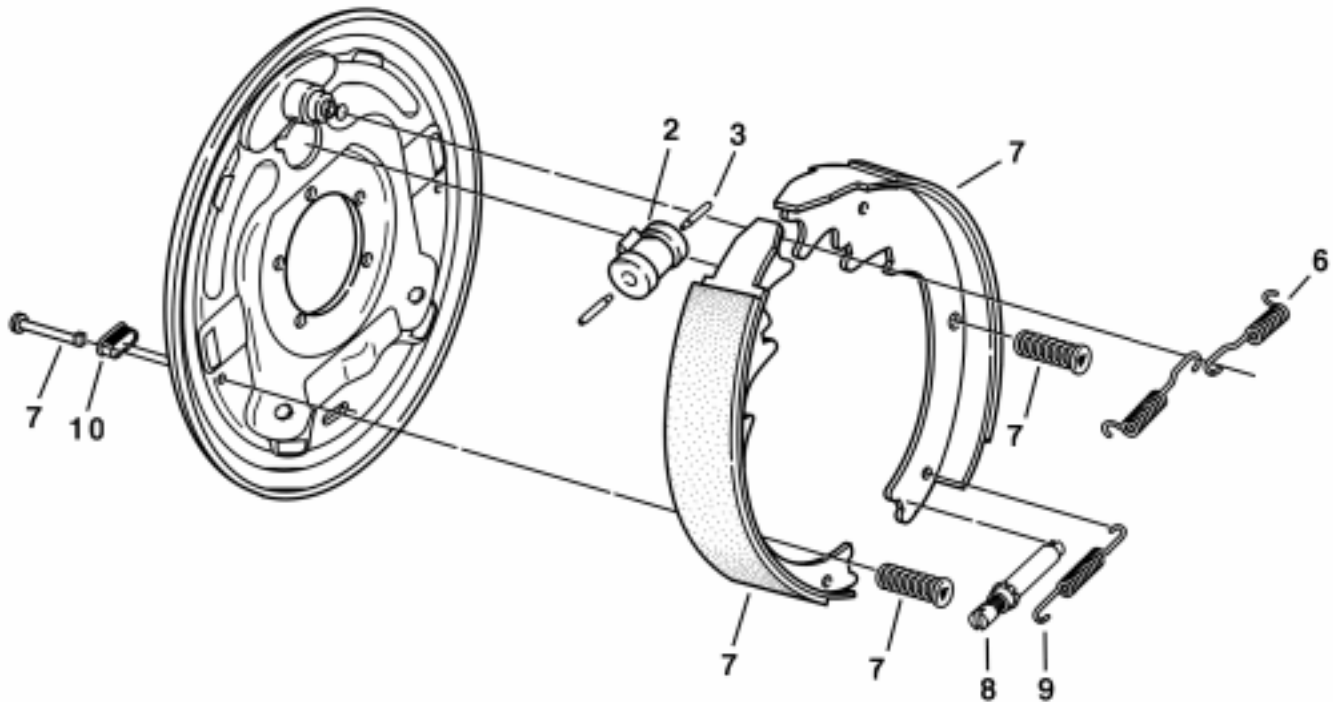
Item	Part #	Description
13	WN-2	1/2-20 Wheel Nut
13	WN-6	9/16 Wheel Nut

n/s-not shown



DXQ ELECTRIC BRAKES & COMPONENTS

Item	Part #	Qty/Brk	Description
	12-1217	1	LH Complete Brake Assembly
	12-1218	1	RH Complete Brake Assembly
2	47-107	1	LH Actuating Lever Arm Assembly
2	47-108	1	RH Actuating Lever Arm Assembly
3	27-5	2	Wire Clip
4	71-363	2	Spring Kit
5	71-48	1	Shoe and Lining Kit containing:
		1	#040-044-00 Primary S&L
		1	#040-045-00 Secondary S&L
		2	#049-011 -00 Shoe Hold Down Pin #2
		2	#046-077-00 Shoe Hold Down Spring
6 & 7	71-324	1	Adjuster Assembly
		1	Adjusting Screw Spring
8	71-105	1	Magnet Kit containing:
		1	#042-099-01 Magnet (white wire)
		1	#027-009-00 Magnet Clip
		1	#046-080-00 Magnet Spring
9	46-7	1	Plug
10	46-16	1	Wire Grommet



HYDRAULIC BRAKES & COMPONENTS

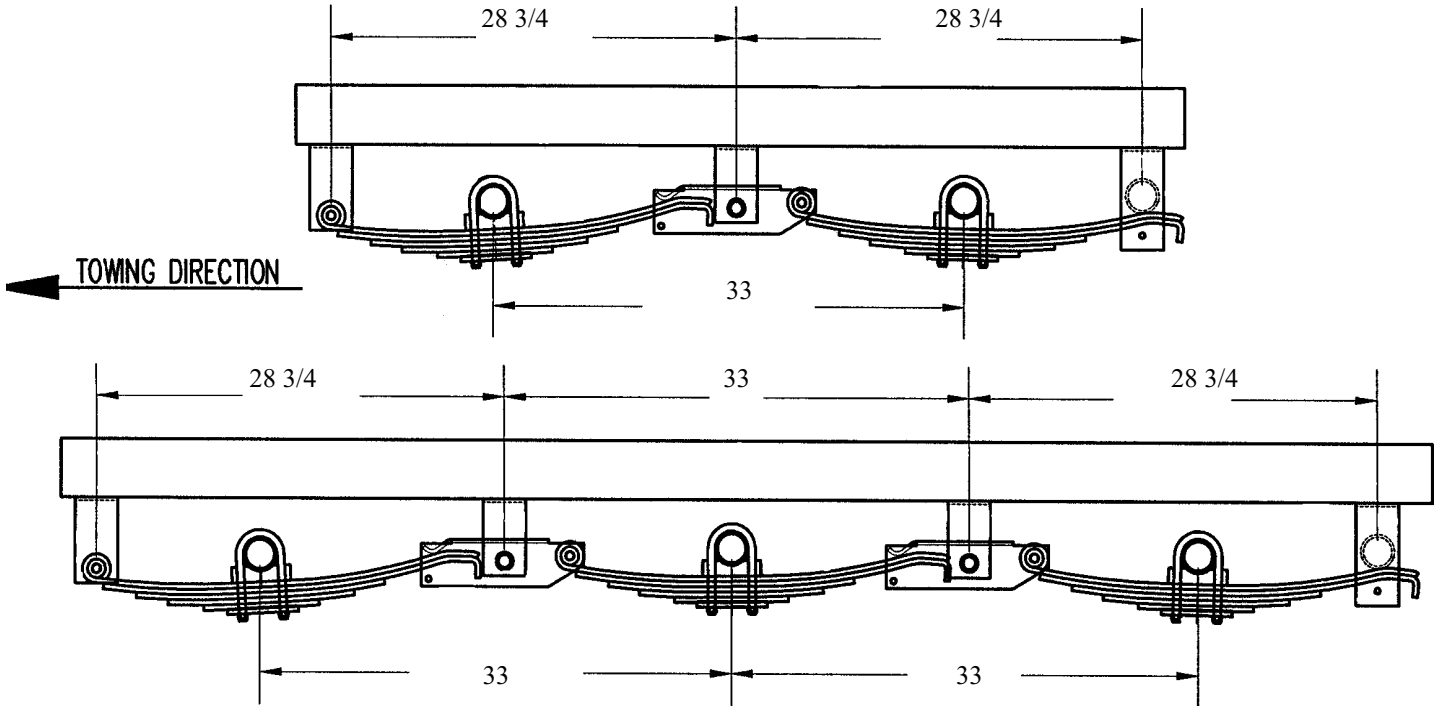
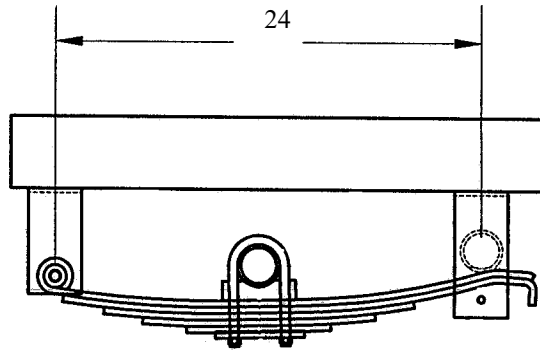
Item	Part #	Qty/Brk	Description
	13-1221	1	LH Brake Assembly Complete-Uni-Servo
	13-1222	1	RH Brake Assembly Complete-Uni-Servo
	13-1223	1	LH Brake Assembly Complete-Duo-Servo
	13-1224	1	RH Brake Assembly Complete-Duo-Servo
2	71-337	1	LH Brake Cylinder Uni-Servo
2	71-338	1	RH Brake Cylinder Uni-Servo
2	71-339	1	LH Brake Cylinder Duo-Servo
2	71-340	1	RH Brake Cylinder Duo-Servo
3	54-60	1 or 2	Push Rod
6	46-101	2	Retractor Spring
7	71-268	1	Shoe and Lining Kit containing:
		1	#040-204-00 Primary S&L
		1	#040-206-00 Secondary S&L
		2	#046-077-00 Shoe Hold Down Spring
		2	#049-012-00 Shoe Hold Down Pin #4
8 & 9	71-396	1	Adjuster Assembly
		1	Adjusting Screw Spring
10	46-7	1	Plug

LEAF SPRING APPLICATION INFORMATION



1-800-663-7800

33" Spread
Slipper Spring Suspension



SLIPPER SPRINGS

Spring

Part #	Capacity/Spring
120-3T3	3000 lbs.
140-3T3	3500 lbs.

Single Hanger Kits

Part #	Description
540-1	Front Hanger
540-3	Rear Hanger
801-2	5/8 x 3 1/2 Bolt - Spring Eye
820-5	5/8 Lock Nut
800-1	3/8 x 3 1/2 Bolt
820-1	3/8 Lock Nut

Tandem and Triple Hanger Kits

Part #	Description
540-1	Front Hanger
540-3	Rear Hanger
540-5	Centre Hanger
541-0	Equalizer
801-2	5/8 x 3 1/2 Bolt - Spring Eye
820-5	5/8 Lock Nut
800-1	3/8 x 3 1/2 Bolt
820-1	3/8 Lock Nut
800-3	7/8 x 5 Bolt - Equalizer
820-6	7/8 Lock Nut

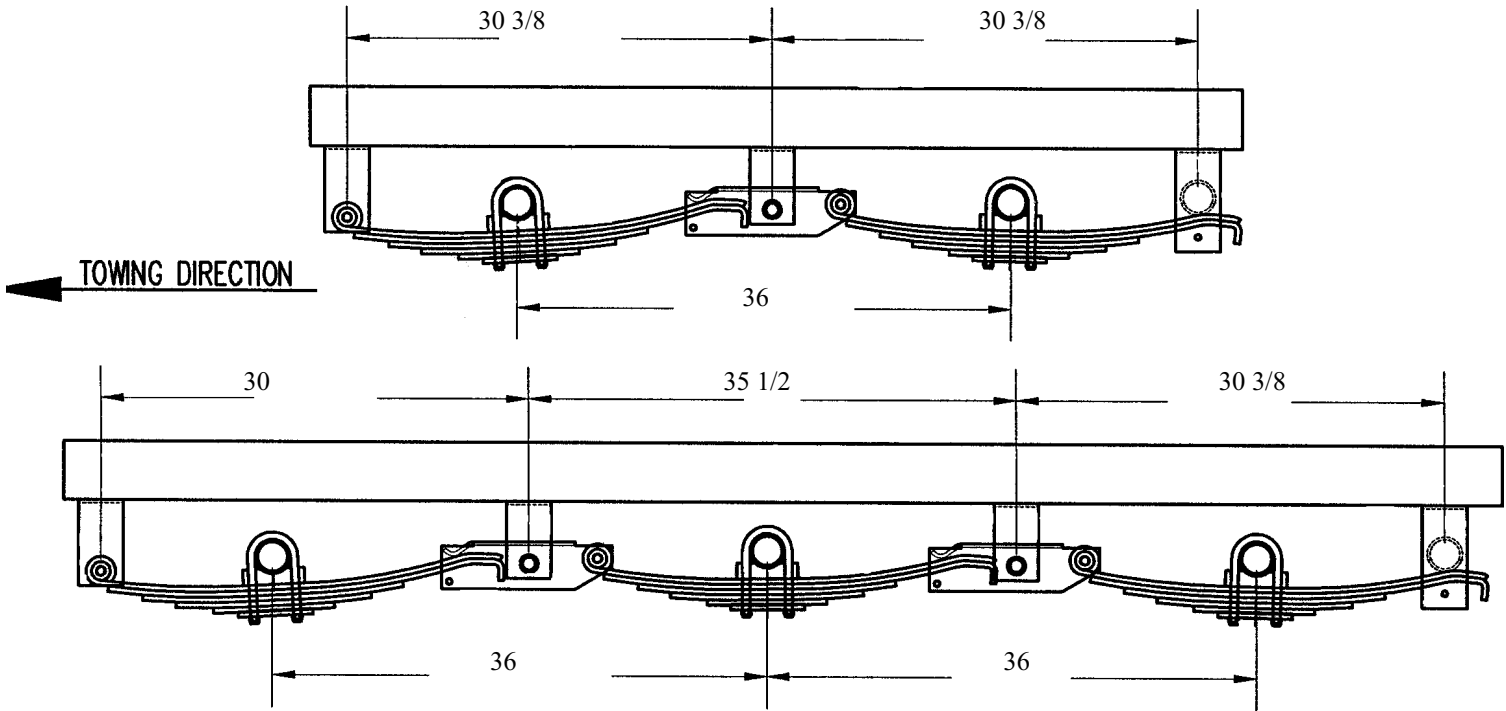
Some combinations of hangers and spring mounting may result in insufficient bump clearance.

LEAF SPRING APPLICATION INFORMATION



1-800-663-7800

36" Spread Slipper Spring Suspension



SLIPPER SPRINGS

Tandem and Triple Hanger Kits
36" Axle Spread

Part #	Description	Part #	Description
540-1	Front Hanger	801-2	5/8 x 3 1/2 Bolt - Spring Eye
540-3	Rear Hanger	820-5	5/8 Lock Nut
540-5	Centre Hanger	800-1	3/8 x 3 1/2 Bolt
541-0	Equalizer	820-1	3/8 Lock Nut
		800-3	7/8 x 5 Bolt - Equalizer
		820-6	7/8 Lock Nut

Some combinations of hangers and spring mounting may result in insufficient bump clearance.

WHEELS

Part #	Rim Size	Bolt Circle	Pilot Dia.	Offset	Capacity & psi	Type
14-156-6	15 x 6JJ	6 on 5.50	3.65	0	2600@75	Conventional
15-156-6	15 x 6JJ	6 on 5.50	4.27	0	2600@75	Eight Spoke
16-156-6	15 x 6JJ	6 on 5.50	4.27	0	2600@75	Mini-Mod
15-166-6-1	16 x 6K	6 on 5.50	3.65	0	3040@80	Eight Spoke
16-166-6-1	16 x 6K	6 on 5.50	4.27	0	3040@80	Mini-Mod
14-166-8	16 x 6K	8 on 6.50	4.89	.50 In	3500@80	Conventional
15-166-8-1	16 x 6K	8 on 6.50	4.90	0	3315@80	Eight Spoke
16-166-8-1	16 x 6K	8 on 6.50	4.90	.50 In	3315@80	Mini-Mod



About Standen's Limited . . .

Established in 1924, Standen's manufactures and distributes trailer axles with capacities up to 20,000-lb. Per axle. Standen's supplies a wide range of axles and suspension components to both Original Equipment and aftermarket customers throughout North America.

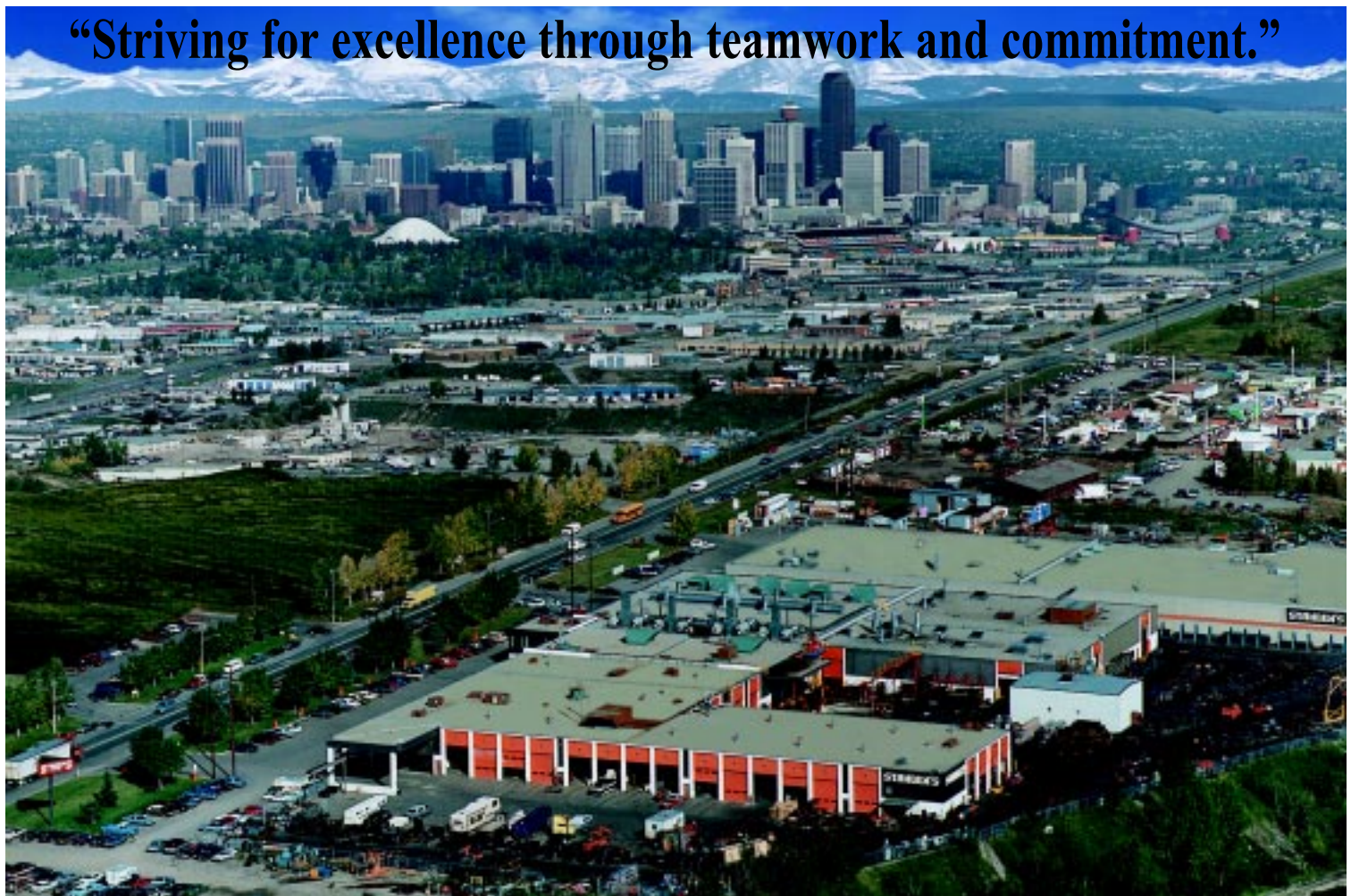
Flexible and responsive, Standen's Axle Division offers a wide range of leaf spring, torsion, and air suspensions built to your specifications. Many component parts for the trailer industry including wheels, tires, jacks, couplers, and fenders are available in addition to axles and suspension hardware.

Standen's also manufactures and ships a wide range of leaf springs, air beams, tillage tools, u-bolts and stabilizer bars to customers on five continents. Standen's manufacturing plants produce over 50,000 tons of products annually.

ISO 9001 certified, Standen's state of the art equipment and processes ensure the very best quality products to meet your needs.

As a supplier of axles to major North American trailer manufacturers, all Standen's OEM-RV trailer axles are CSA approved.

Standen's mandate is to provide the highest quality products and services to all customers. Innovations and continuous improvement are key to remaining a leader in the suspension industry. Developed by Standen's employees, our corporate value statement succinctly describes our operating philosophy:



Standen's Plant 1 and Plant 2 are shown against a backdrop of the City of Calgary and the Rocky Mountains. Plant 3 and Building 4 are not shown.

Standen's Limited

1222 - 58TH Ave. S.E.

P.O. Box 67, Station "T"

Calgary, Alberta T2H 2G7

Ph: 403-258-7827 **Fx:** 403-258-7803

Toll free: 1-800-663-7800

Web: www.standens.com **Email:** info@standens.com