



Serving Customers Since 1924

7,000 LB. Trailer Axles and Components



Distributor of

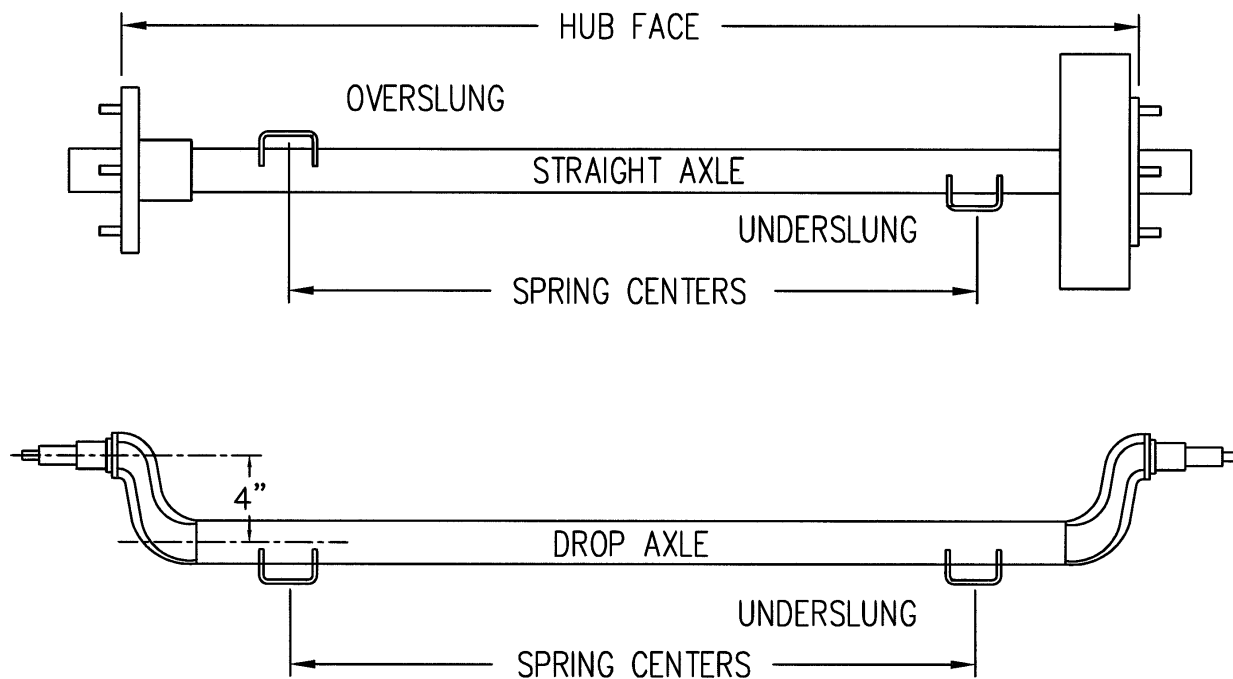


Genuine Replacement Parts



ISO 9001 CERTIFIED

Measurement Points:



STANDEN'S WARRANTY

STANDEN'S LIMITED warrants Axle products manufactured or supplied by us to be free from defects in material and workmanship under normal use and service for a period of one year from date of manufacture of the product.

We will repair or replace without charge, FOB our plant, or at our option give credit for components shown to be out of specifications or defective.

This replacement warranty is limited to parts only and does not include any labour charges, towing charges, down time costs or consequential costs due to the defective product.

The warranty on our product is void when:

1. Axle capacity is exceeded.
2. The brakes are not adjusted before the trailer is put into use.
3. Products are not installed according to factory recommendations and maintained.
4. Proper maintenance is not carried out.
5. Our products are altered or changed from original factory specifications without our knowledge and consent.
6. Damage occurs due to destructive driving or road conditions.
7. The product sits idle longer than 3 months and is not pre-serviced before being put into service.

This Limited Warranty applies to the first use purchaser of the product only.

This Limited Warranty is the only Warranty offered by us and therefore no employees, agent, salesperson or other person has the authority to offer or make any other Warranty.

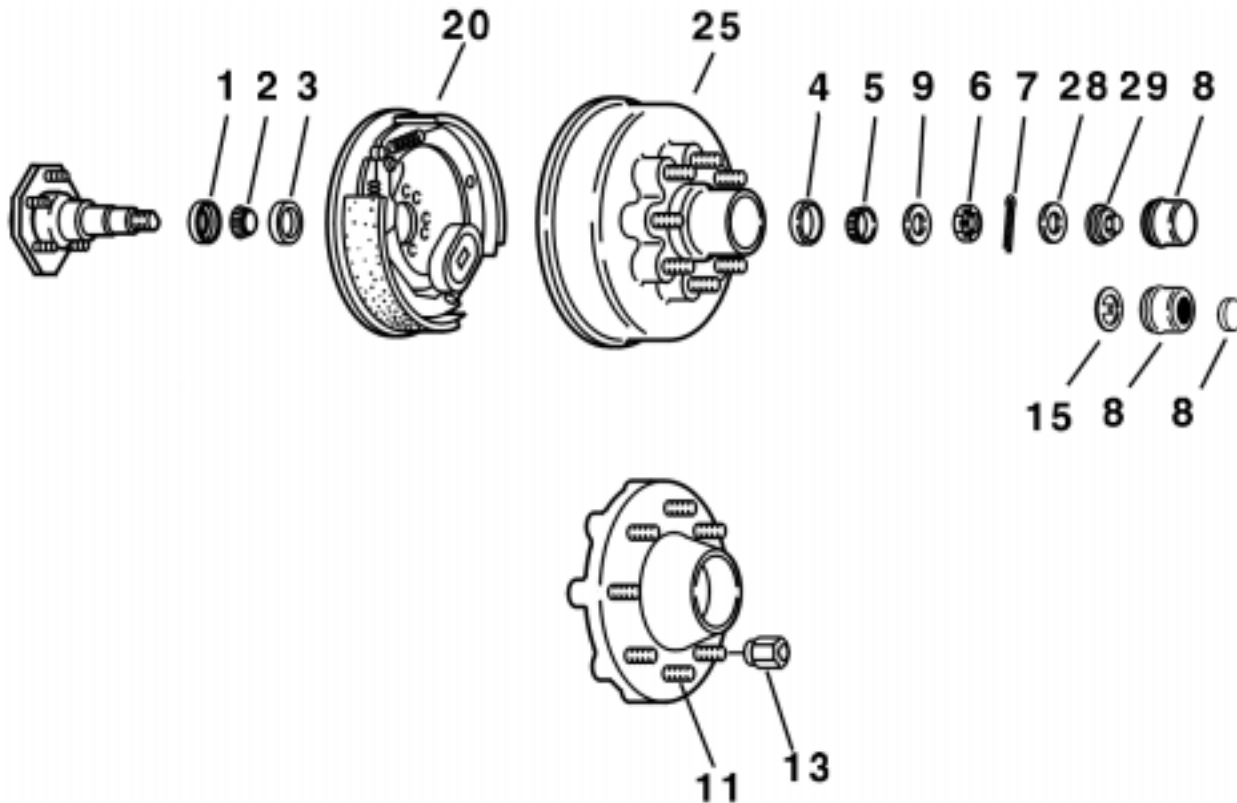
"Where QUALITY Counts!"

7,000 LB CAPACITY

S-70 - 865 AND UT HUB GROUP



1-800-663-7800



STANDARD GREASE LUBE PARTS

Item	Part #	Description
	605	Bearing Kit - 1 Hub
1	SE-18EZ	Grease Seal
2	25580	Inner Bearing Cone
3	25520	Inner Bearing Cup
4	14276	Outer Bearing Cup - 865 Hub
5	14125A	Outer Bearing Cone
6	821-3	Spindle Nut
7	880-2	Cotter Pin (not used on E-Z Lube)
8	1605	Grease Cap
8A	1605EZ	Grease Cap E-Z Lube
8B	85-1	E-Z Lube Rubber Plug
9	841-1	Spindle Washer
15	841-5	Tang Washer (E-Z Lube)

HUBS

Item	Part #	Description	Bolt circle
25	9-138	Grease Hub & Drum w 1/2" stud	8 on 6.50
25	9-138-916	Grease Hub & Drum w 9/16" stud	8 on 6.50

STUDS & WHEEL NUTS

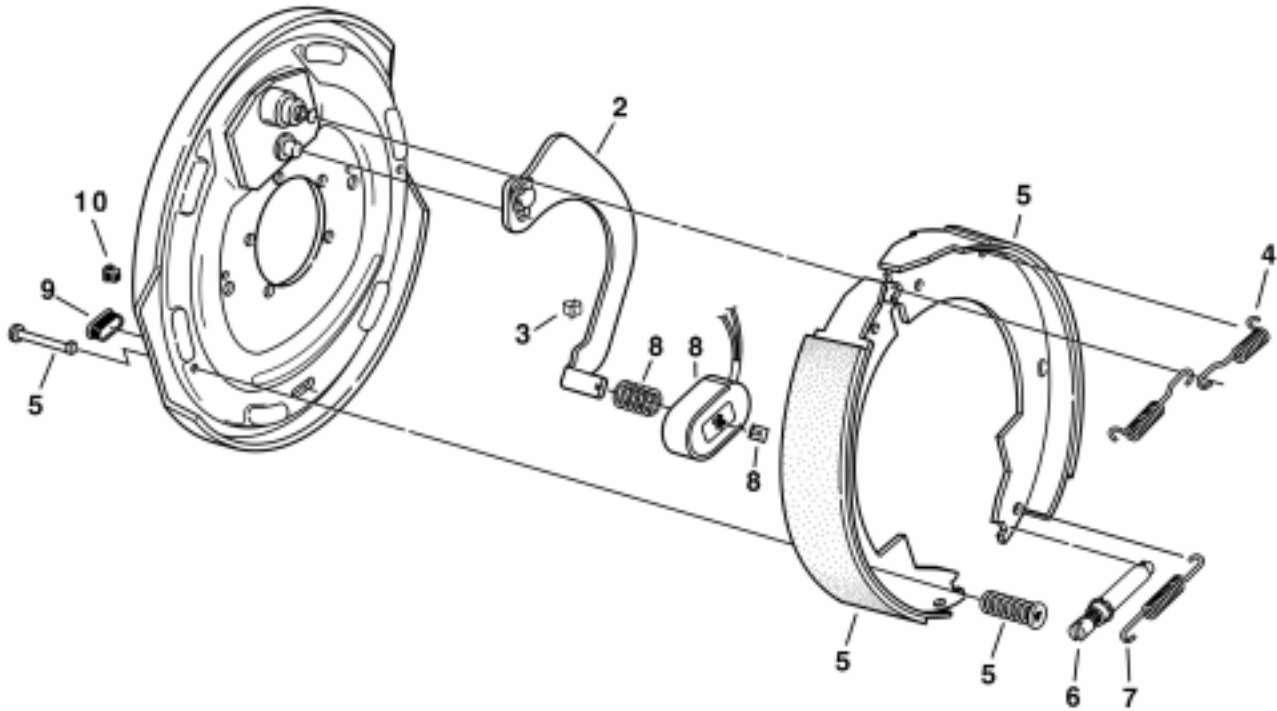
Item	Part #	Description
11	WS-112	1/2-20 Pressed Stud
11	WS-122	9/16-18 Pressed Stud
13	WN-2	1/2 Wheel Nut
13	WN-6	9/16 Wheel Nut



12 X 2" ELECTRIC BRAKES

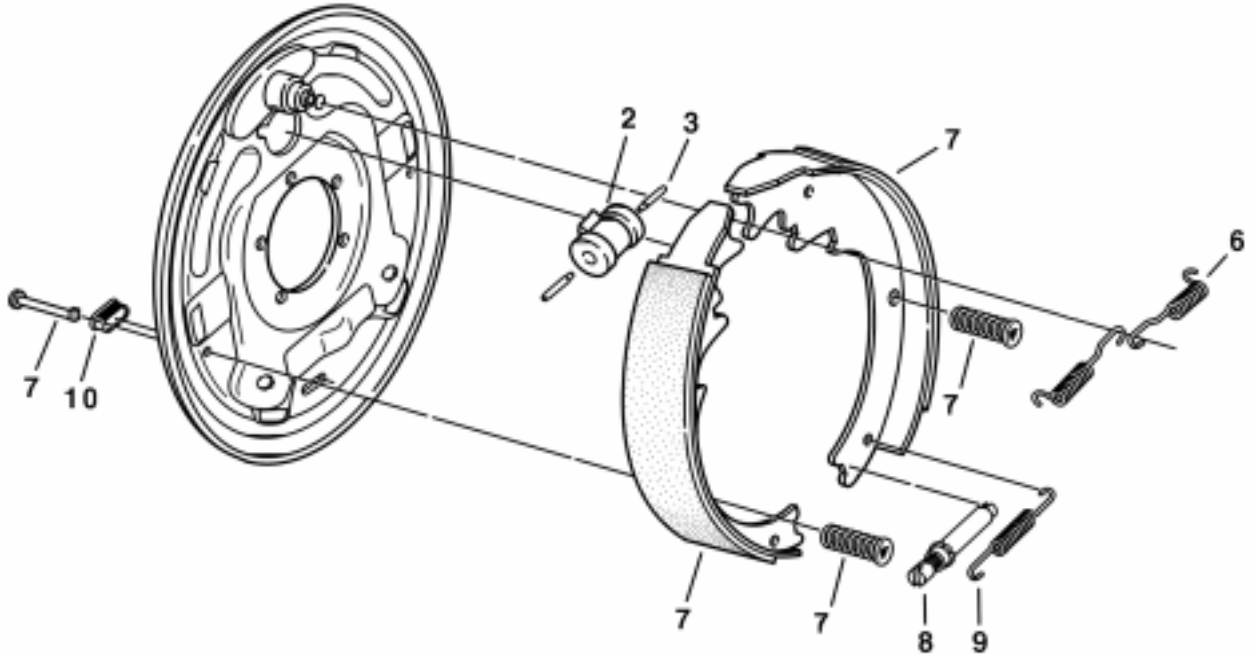


1-800-663-7800



DXQ ELECTRIC BRAKES & COMPONENTS

Item	Part No.	Qty/Brk	Description
	12-1219	1	LH Complete Brake Assembly
	12-1220	1	RH Complete Brake Assembly
2	47-107	1	LH Actuating Lever Arm Assembly
2	47-108	1	RH Actuating Lever Arm Assembly
3	27-5	2	Wire Clip
4, 7, 8A	71-363	1	Spring Kit
5	71-127	1	Shoe and Lining Kit containing:
		1	#040-044-00 Primary S&L
		1	#040-045-00 Secondary S&L
		2	#049-011 -00 Shoe Hold Down Pin #2
		2	#046-077-00 Shoe Hold Down Spring
6 & 7	71-324	1	Adjuster Assembly
		1	Adjusting Screw Spring
8	71-125	1	Magnet Kit containing:
		1	#042-099-01 Magnet (white wire)
		1	#027-009-00 Magnet Clip
		1	#046-080-00 Magnet Spring
9	46-7	1	Plug
10	46-16	1	Wire Grommet



HYDRAULIC - 6K BRAKES & COMPONENTS

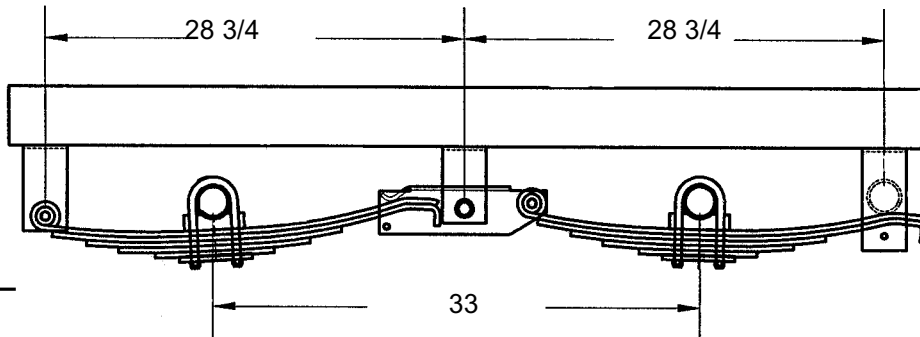
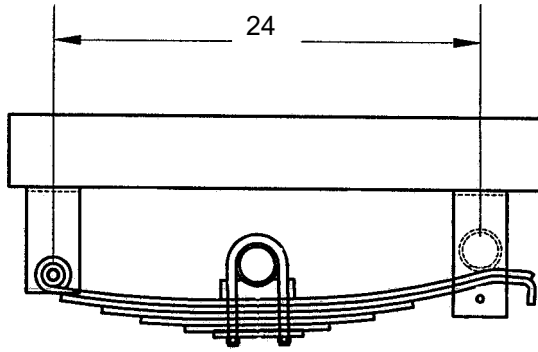
Item	Part No.	Qty/Brk	Description
	13-1221	1	LH Brake Assembly Complete-Uni-Servo
	13-1222	1	RH Brake Assembly Complete-Uni-Servo
	13-1223	1	LH Brake Assembly Complete-Duo-Servo
	13-1224	1	RH Brake Assembly Complete-Duo-Servo
2	54-64	1	LH Brake Cylinder Uni-Servo
2	54-65	1	RH Brake Cylinder Uni-Servo
2	54-62	1	LH Brake Cylinder Duo-Servo
2	54-63	1	RH Brake Cylinder Duo-Servo
3	54-60	1 or 2	Push Rod
6	46-101	2	Retractor Spring
7	71-268	1	Shoe and Lining Kit containing:
		1	#040-219-00 Prim. Shoe & Lining
		1	#040-218-02 Sec. Shoe & Lining
		2	#046-077-00 Shoe Hold Down Spring
		2	#049-012-00 Shoe Hold Down Pin #4
8 & 9	71-396	1	Adjuster Assembly
		1	Adjusting Screw Spring
10	46-7	1	Plug

LEAF SPRING APPLICATION INFORMATION

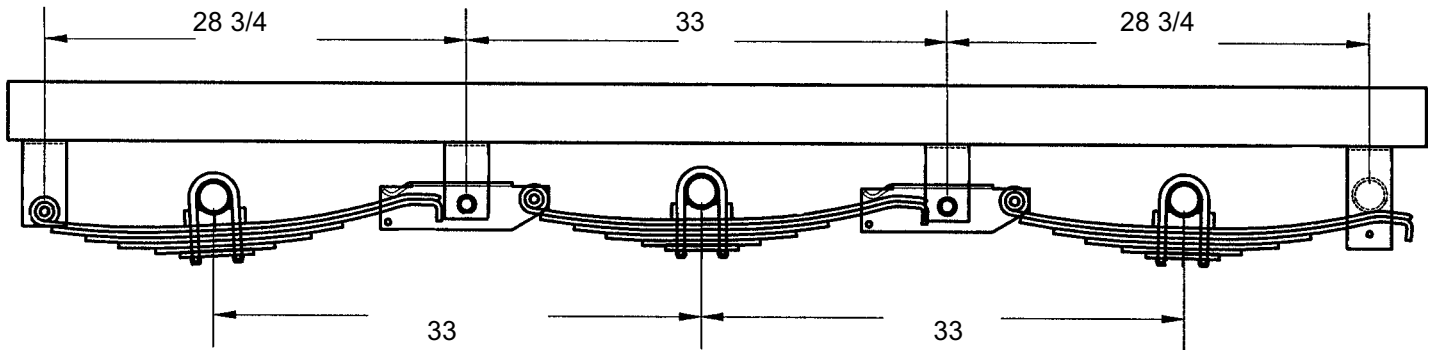


1-800-663-7800

33" Spread
Slipper Spring Suspension



← TOWING DIRECTION



SLIPPER SPRINGS

Spring

Part #	Capacity/Spring
120-3T3	3000 lbs.
140-3T3	3500 lbs.

Single Hanger Kits

Part #	Description
540-1	Front Hanger
540-3	Rear Hanger
801-2	5/8 x 3 1/2 Bolt - Spring Eye
820-5	5/8 Lock Nut
800-1	3/8 x 3 1/2 Bolt
820-1	3/8 Lock Nut

Tandem and Triple Hanger Kits

Part #	Description
540-1	Front Hanger
540-3	Rear Hanger
540-5	Centre Hanger
541-0	Equalizer
801-2	5/8 x 3 1/2 Bolt - Spring Eye
820-5	5/8 Lock Nut
800-1	3/8 x 3 1/2 Bolt
820-1	3/8 Lock Nut
800-3	7/8 x 5 Bolt - Equalizer
820-6	7/8 Lock Nut

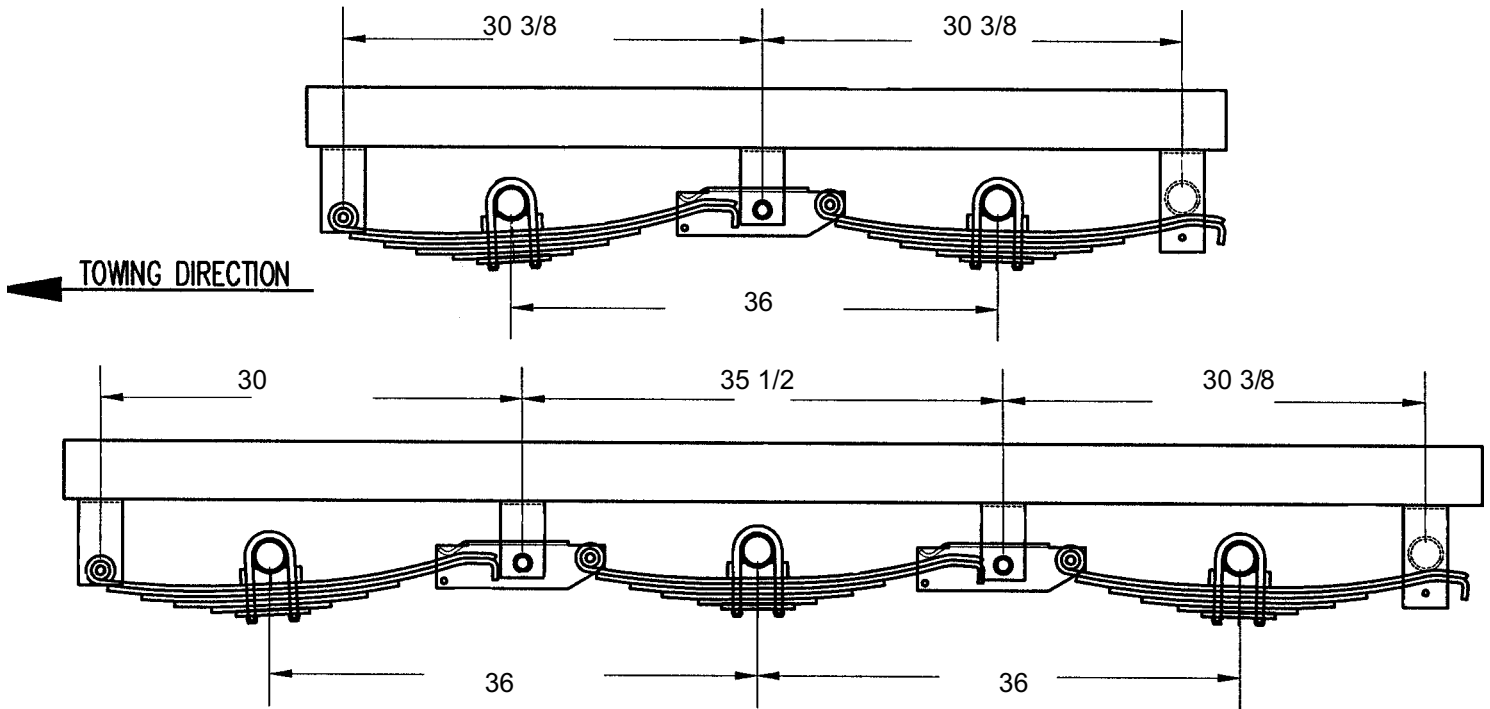
Some combinations of hangers and spring mounting may result in insufficient bump clearance.

LEAF SPRING APPLICATION INFORMATION



1-800-663-7800

36" Spread Slipper Spring Suspension



SLIPPER SPRINGS

Tandem and Triple Hanger Kits

36" Axle Spread

Part #	Description	Part #	Description
540-1	Front Hanger	801-2	5/8 x 3 1/2 Bolt - Spring Eye
540-3	Rear Hanger	820-5	5/8 Lock Nut
540-5	Centre Hanger	800-1	3/8 x 3 1/2 Bolt
541-0	Equalizer	820-1	3/8 Lock Nut
		800-3	7/8 x 5 Bolt - Equalizer
		820-6	7/8 Lock Nut

Some combinations of hangers and spring mounting may result in insufficient bump clearance.

WHEELS

Part #	Rim Size	Bolt Circle	Pilot Dia.	Offset	Capacity & psi	Type
14-166-8	16 x 6K	8 on 6.50	4.89	.50 In	3750@110	Conventional
15-166-8-1	16 x 6K	8 on 6.50	4.90	0	3750@110	Eight Spoke
16-166-8-1	16 x 6K	8 on 6.50	4.90	.50 In	3750@110	Mini-Mod



About Standen's Limited . . .

Established in 1924, Standen's manufactures and distributes trailer axles with capacities up to 20,000-lb. Per axle. Standen's supplies a wide range of axles and suspension components to both Original Equipment and aftermarket customers throughout North America.

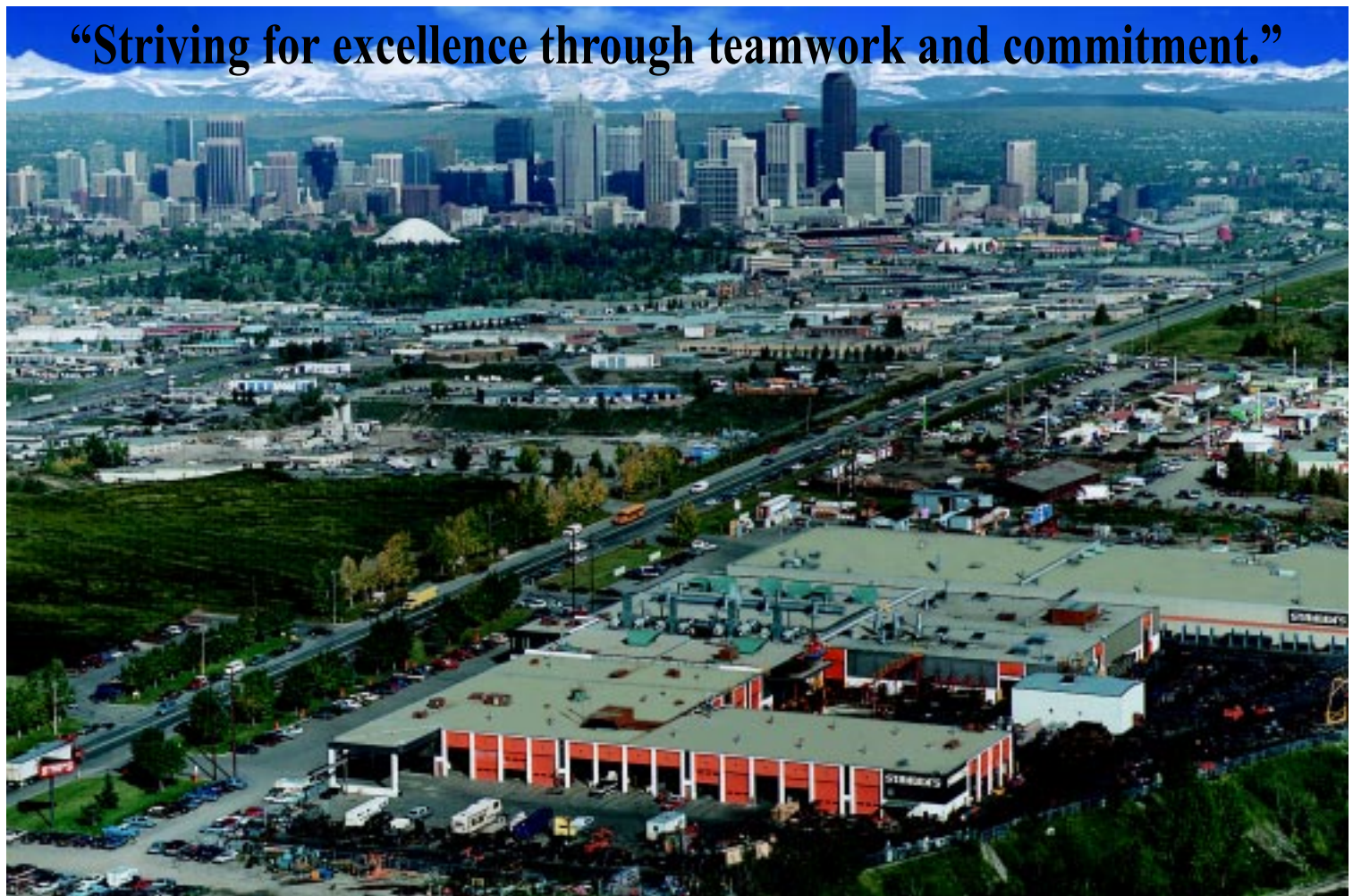
Flexible and responsive, Standen's Axle Division offers a wide range of leaf spring, torsion, and air suspensions built to your specifications. Many component parts for the trailer industry including wheels, tires, jacks, couplers, and fenders are available in addition to axles and suspension hardware.

Standen's also manufactures and ships a wide range of leaf springs, air beams, tillage tools, u-bolts and stabilizer bars to customers on five continents. Standen's manufacturing plants produce over 50,000 tons of products annually.

ISO 9001 certified, Standen's state of the art equipment and processes ensure the very best quality products to meet your needs.

As a supplier of axles to major North American trailer manufacturers, all Standen's OEM-RV trailer axles are CSA approved.

Standen's mandate is to provide the highest quality products and services to all customers. Innovations and continuous improvement are key to remaining a leader in the suspension industry. Developed by Standen's employees, our corporate value statement succinctly describes our operating philosophy:



Standen's Plant 1 and Plant 2 are shown against a backdrop of the City of Calgary and the Rocky Mountains. Plant 3 and Building 4 are not

Standen's Limited

1222 – 58TH Ave. S.E.

P.O. Box 67, Station "T"

Calgary, Alberta T2H 2G7

Ph: 403-258-7827 **Fx:** 403-258-7803

Toll free: 1-800-663-7800

Web: www.standens.com **Email:** info@standens.com